

1/4" MIN. THICKNESS TUSCAN STONE OR 1/8" MIN. THICKNESS TUSCAN PLASTER LIMESTONE COATING

3/8" MIN. THICK CONVENTIONAL FIBER REINFORCED PORTLAND CEMENT

2.5LB METAL LATH OR 20GAUGE STUCCO NETTING

DOUBLE LAYER 30/30 MINUTE FELT OR TYVEK STUCCO WRAP

SHEATHING BY OTHERS  
WALL TYPES INCLUDE BUT ARE NOT LIMITED TO; DENS GLASS GOLD, FIBER BOARD, PLYWOOD, AND WAFER BOARD.

N:\Tuscan Cast Stone\01-Clients\Tuscan StoneWorx\Details\Detail2 Wall Detail.dwg

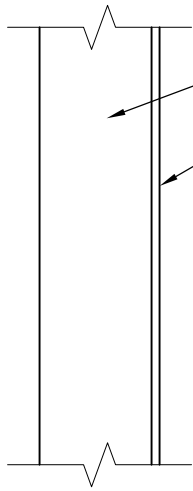
The architecture, engineering and design of the project using Tuscan StoneWorx is the responsibility of the project's design professional. Tuscan StoneWorx is a cast product that derives from natural stone, leaving a certain degree of color variance beyond our control. All systems must comply with state and local building codes and standards. This drawing is for preproduction approval and is not intended for production of parts, thus Tuscan StoneWorx disclaims any liability for the approval of this drawing and for the architecture, design, engineering or workmanship of any project.

# Tuscan Stone & Tuscan Plaster One Coat System over Sheathing

DATE:
SCALE: AS NOTED
DRAWN BY: C. HAWS
SHEET #:

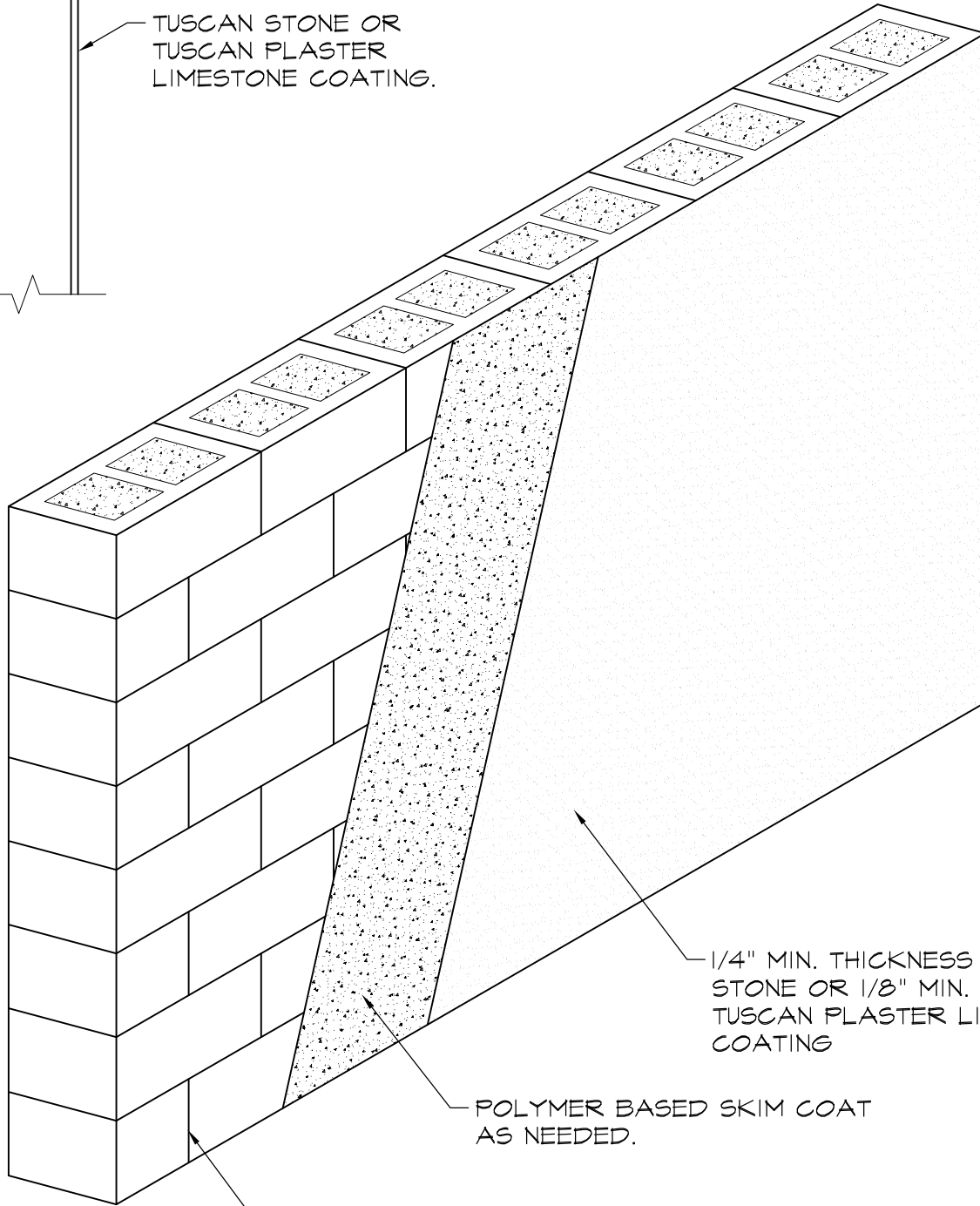
**TUSCAN STONEWORX**

165 N. 1330 W. Ste. C-4 Orem, Utah 84057  
P: (888) 368-9494 F: (801) 734-6815  
WWW.TUSCANSTONEWORX.COM



CONCRETE BLOCK OR  
PRECAST WALL.

TUSCAN STONE OR  
TUSCAN PLASTER  
LIMESTONE COATING.



1/4" MIN. THICKNESS TUSCAN  
STONE OR 1/8" MIN. THICKNESS  
TUSCAN PLASTER LIMESTONE  
COATING

POLYMER BASED SKIM COAT  
AS NEEDED.

CMU / CEMENT BLOCK  
WALL TYPES INCLUDE BUT ARE NOT  
LIMITED TO; PRECAST AND EXISTING  
STUCCO.  
SUBSTRATE BY OTHERS

N:\Tuscan Cast Stone\01-Clients\Tuscan StoneWorx\Details\Detail2 Wall Detail.dwg

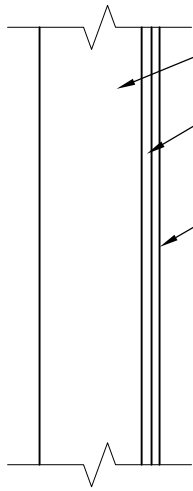
The architecture, engineering and design of the project using Tuscan StoneWorx is the responsibility of the project's design professional. Tuscan StoneWorx is a cast product that derives from natural stone, leaving a certain degree of color variance beyond our control. All systems must comply with state and local building codes and standards. This drawing is for preproduction approval and is not intended for production of parts, thus Tuscan StoneWorx disclaims any liability for the approval of this drawing and for the architecture, design, engineering or workmanship of any project.

# Tuscan Stone & Tuscan Plaster One Coat System over CMU

DATE:
SCALE: AS NOTED
DRAWN BY: C. HAWS
SHEET #:

**TUSCAN STONEWORX**

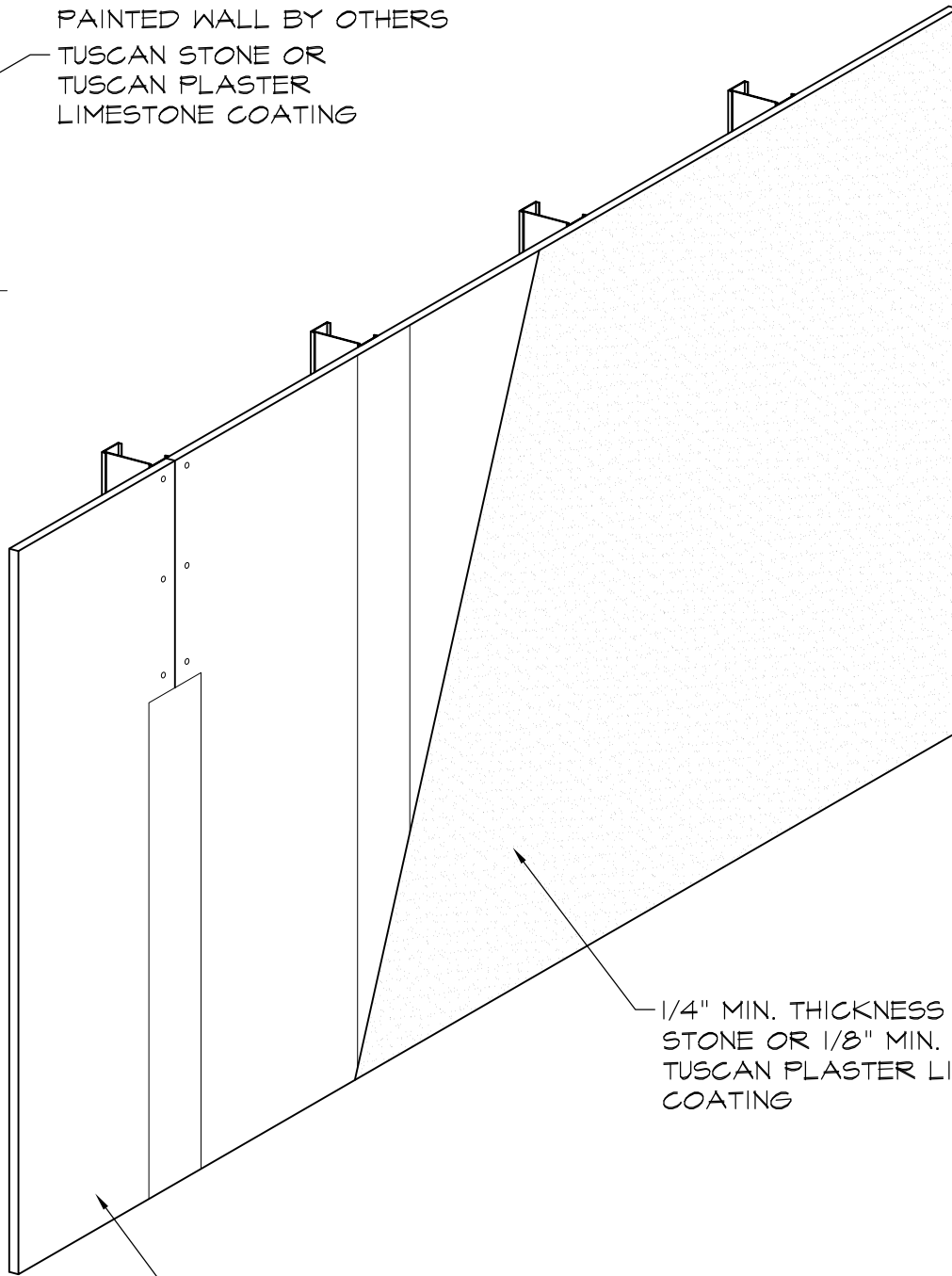
165 N. 1330 W. Ste. C-4 Orem, Utah 84057  
P: (888) 368-9494 F: (801) 734-6815  
WWW.TUSCANSTONEWORX.COM



FRAMING  
BY OTHERS

PROPERLY PREPARED  
DRYWALL OR EXISTING  
PAINTED WALL BY OTHERS

TUSCAN STONE OR  
TUSCAN PLASTER  
LIMESTONE COATING



1/4" MIN. THICKNESS TUSCAN  
STONE OR 1/8" MIN. THICKNESS  
TUSCAN PLASTER LIMESTONE  
COATING

PROPERLY PREPARED DRYWALL  
SURFACES / EXISTING PAINTED WALLS  
SUBSTRATE BY OTHERS

N:\Tuscan Cast Stone\01-Clients\Tuscan StoneWorx\Details\Detail2 Wall Detail.dwg

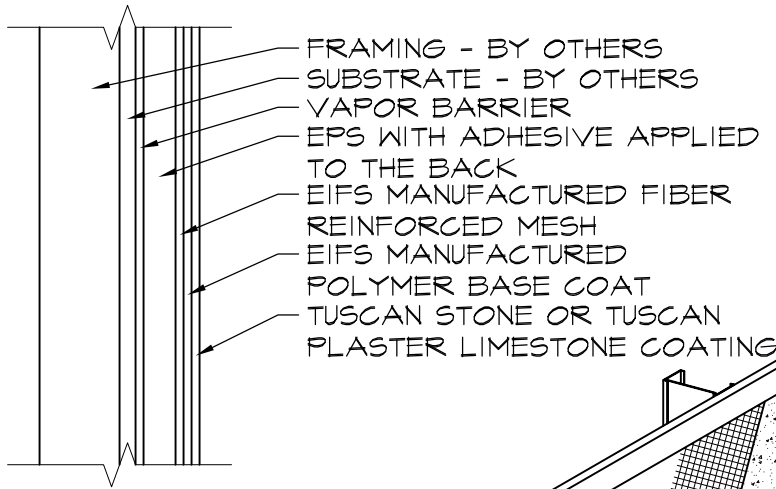
The architecture, engineering and design of the project using Tuscan StoneWorx is the responsibility of the project's design professional. Tuscan StoneWorx is a cast product that derives from natural stone, leaving a certain degree of color variance beyond our control. All systems must comply with state and local building codes and standards. This drawing is for preproduction approval and is not intended for production of parts, thus Tuscan StoneWorx disclaims any liability for the approval of this drawing and for the architecture, design, engineering or workmanship of any project.

# Tuscan Stone & Tuscan Plaster One Coat System over Drywall INTERIOR

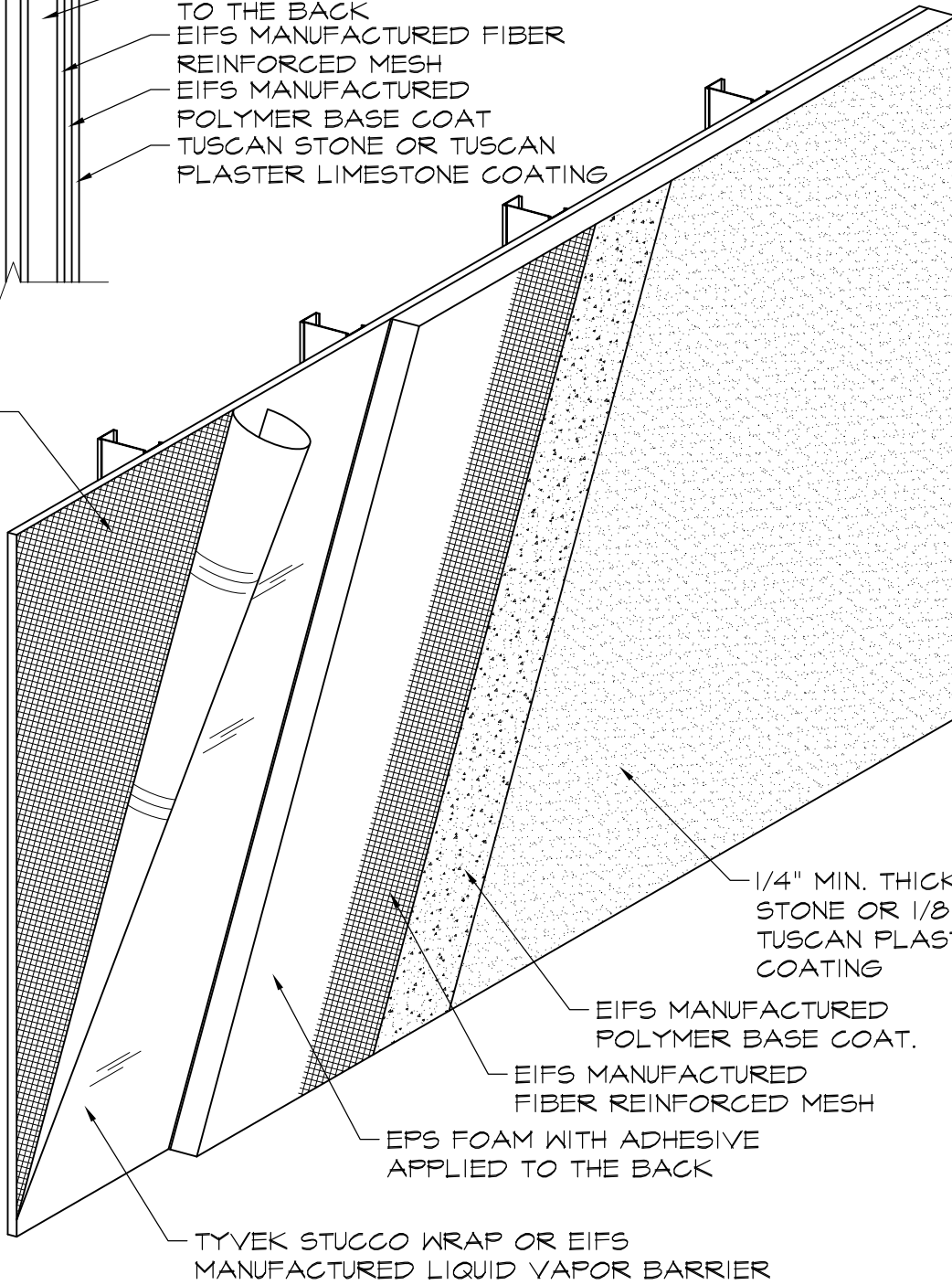
DATE:
SCALE: AS NOTED
DRAWN BY: C. HAWS
SHEET #:

TUSCAN STONEWORX

165 N. 1330 W. Ste. C-4 Orem, Utah 84057  
P: (888) 368-9494 F: (801) 734-6815  
WWW.TUSCANSTONEWORX.COM



SUBSTRATE BY OTHERS



N:\Tuscan Cast Stone\01-Clients\Tuscan StoneWorx\Details\Detail2 Wall Detail.dwg

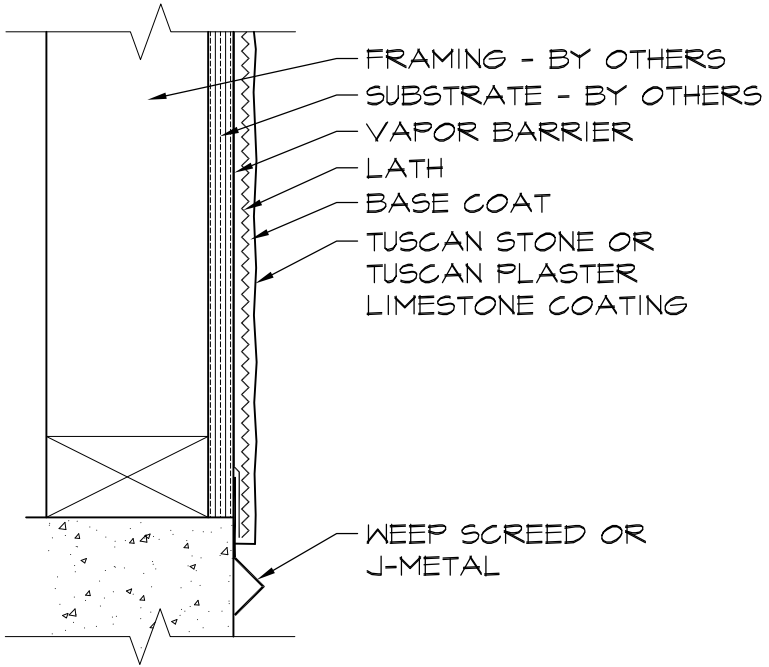
The architecture, engineering and design of the project using Tuscan StoneWorx is the responsibility of the project's design professional. Tuscan StoneWorx is a cast product that derives from natural stone, leaving a certain degree of color variance beyond our control. All systems must comply with state and local building codes and standards. This drawing is for preproduction approval and is not intended for production of parts, thus Tuscan StoneWorx disclaims any liability for the approval of this drawing and for the architecture, design, engineering or workmanship of any project.

# Tuscan Stone & Tuscan Plaster One Coat System over EIFS

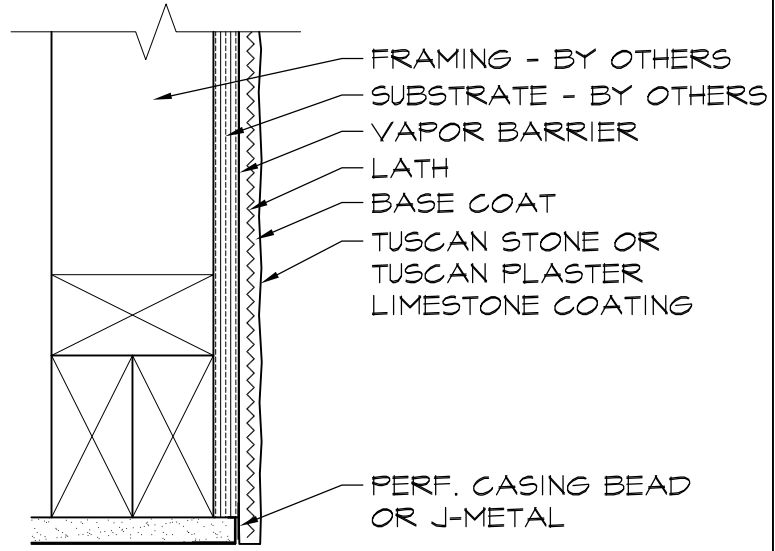
DATE:
SCALE: AS NOTED
DRAWN BY: C. HAWS
SHEET #:

**TUSCAN STONEWORX**  
 165 N. 1330 W. Ste. C-4 Orem, Utah 84057  
 P: (888) 368-9494 F: (801) 734-6815  
 WWW.TUSCANSTONEWORX.COM

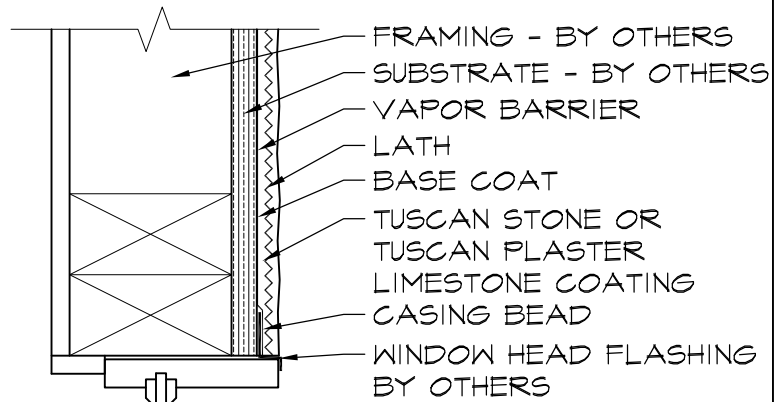
Tuscan Cast Stone\01-Clients\Tuscan StoneWorx\Details\Limestone Coating Details.dwg



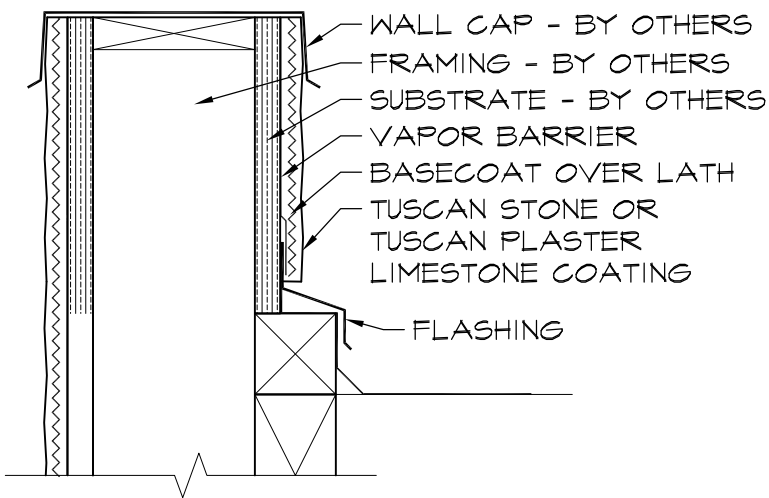
TERMINATION ABOVE GRADE



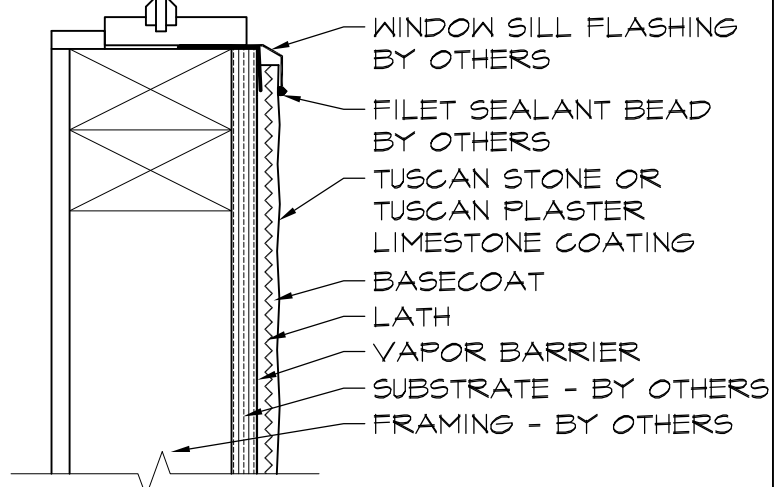
SOFFIT TRANSITION



WINDOW HEAD



TERMINATION AT ROOF



WINDOW SILL

The architecture, engineering and design of the project using Tuscan StoneWorx is the responsibility of the project's design professional. Tuscan StoneWorx is a cast product that derives from natural stone, leaving a certain degree of color variance beyond our control. All systems must comply with state and local building codes and standards. This drawing is for preproduction approval and is not intended for production of parts, thus Tuscan StoneWorx disclaims any liability for the approval of this drawing and for the architecture, design, engineering or workmanship of any project.

# Tuscan Stone & Tuscan Plaster Terminations

DATE:
SCALE: AS NOTED
DRAWN BY: C. HAWS
SHEET #:

**TUSCAN STONEWORX**  
 165 N. 1330 W. Ste. C-4 Orem, Utah 84057  
 P: (888) 368-9494 F: (801) 734-6815  
 WWW.TUSCANSTONEWORX.COM